

COHOG[®]

Split Frame Machines
by esco tool

THE ALL
NEW LINE OF
PORTABLE, PIPE
FABRICATION
MACHINES

FOR 2" TO 48"
DIAMETER PIPES



ESCO Tool
75 October Hill Rd. Holliston , MA 01746
United States of America
Tel: (508) 429-4441
website: www.escotool.com
Email: millhog@escotool.com


esco tool[®]

The all-new line of split frame machines from ESCO Tool

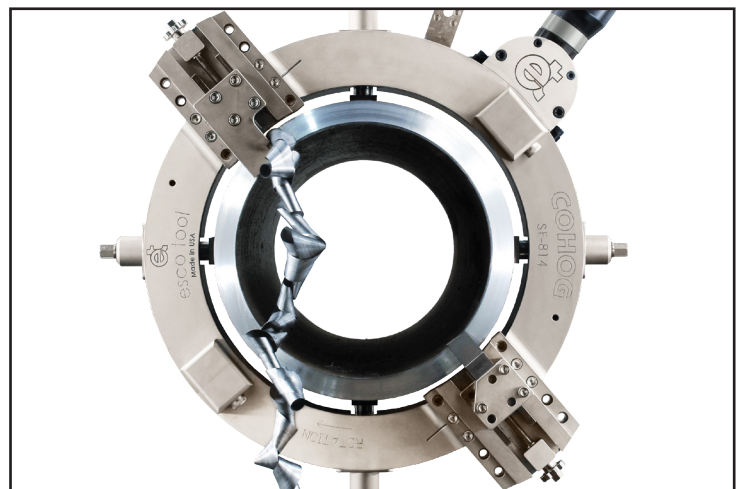
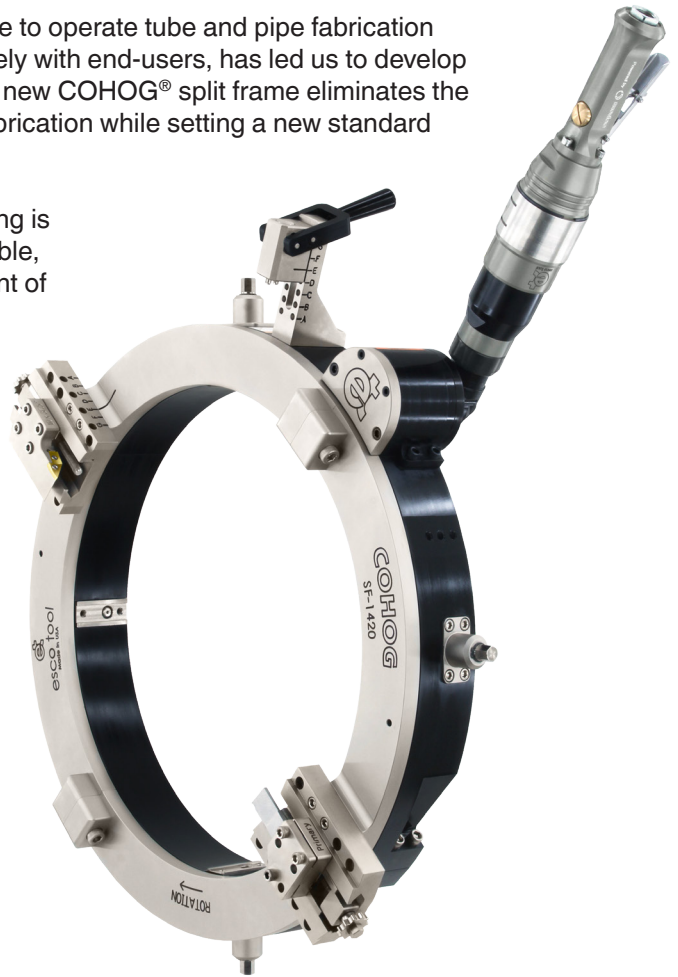
For decades, ESCO Tool has manufactured rugged, reliable and simple to operate tube and pipe fabrication equipment known to the industry as MILLHOG[®]. Years of working closely with end-users, has led us to develop our own line of split frame machines that hold true to our name. The all new COHOG[®] split frame eliminates the complication associated with traditional OD mounted tube and pipe fabrication while setting a new standard for lasting performance.

At the core of the COHOG[®] is its uniquely built frame. The stationary ring is machined out of 7075 aluminum alloy, the strongest aluminum obtainable, and hard coated for maximum strength and durability. A full complement of precision tuned eccentric bearings fully support the rotating ring which is machined from a custom steel forging, heat treated and nickel plated for long-lasting corrosion and wear resistance. Self-squaring clamp legs quickly align and secure the machine to the pipe making it rigid enough to part and bevel heavy wall pipe, in one operation, without vibration or chatter.

COHOGs feature indexable tool slides and trip mechanisms that use a marked locating system to precisely align and quickly attach without shims or guesswork. A variety of blade modules easily attach to the tool slides and can hold conventional high-speed tool steel blades or cutting inserts. Most cutting inserts have multiple cutting edges, are simple to replace, and provide more cuts per blade at a lower cost.

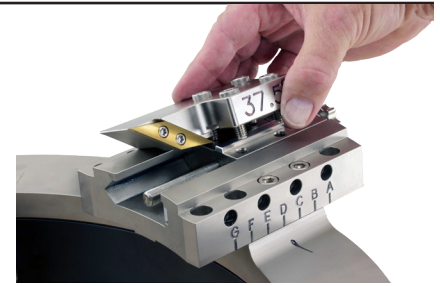
Key Features

- Rotating and stationary ring design makes the COHOG[®] extremely rigid for smooth cutting action on any material
- Components are built using the finest materials and hard anodized or nickel plated for superior corrosion resistance
- Sealed construction protects bearings and bearing races from cutting debris
- Indexable tool slides and trip mechanism use a marked locating system to make setup fast, easy and accurate.
- Modular tool slides use conventional tool steel blades or inserts with multiple cutting edges that proved more cuts per blade at a lower cost
- Full range of all tools is achieved with the internal clamp legs and single set of clamp extensions making mounting simple
- Powerful Pneumatic, Hydraulic and Electric motor options
- Available for sale or rent



Modular Tooling System

The COHOG modular tooling design makes it fast and easy to change setups for parting to beveling. Tool slides are fixed with a pre-set gib plate that virtually eliminates side-to-side movement in the carriage for consistent chatter-free operation. Bevel modules bolt directly on to tool slides and use double sided TiN coated inserts to get more preps for your money.



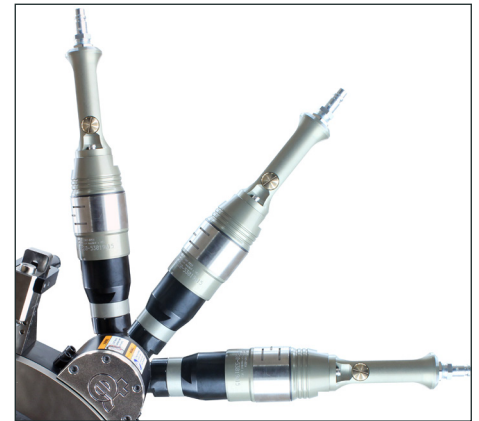
Simple Trip Mechanism

Trip mechanism features a marked, pin location system that matches all tool slides making set up fast and simple. Brackets keeps hands away from all moving parts.



Heavy-duty Tool Slides

Tool slides are virtually maintenance free and require no adjustments. A variety of sizes are available for space restricted applications.



Motor Options

Powerful pneumatic, hydraulic and electric motor options are available and can be mounted in different orientations depending on clearance.

STANDARD MACHINE SIZES

(WEIGHT INCLUDES TOOL SLIDES)

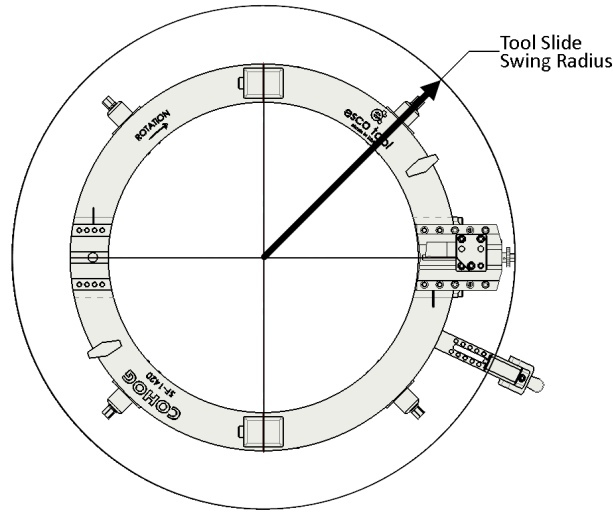
MODEL	PIPE RANGE	WEIGHT
SF206	2" - 6"	59 LB / 27 KG
SF208	4" - 8"	66 LB / 30 KG
SF410	4"- 10"	77 LB / 35 KG
SF612	6" - 12"	84 LB / 38 KG
SF814	8" - 14"	88 LBS / 40 KG
SF1016	10" - 16"	101 LB / 46 KG
SF1420	14" - 20"	117 LB / 53 KG

TOOL SLIDE BASE / TRIP PIN POSITIONING / SWING RADIUS CHART

Model#	408			410		612		814		1016		1420	
	4"	4"	5"	4"	5"	4"	5"	4"	5"	4"	5"	4"	5"
	Tool Slide	Tool Slide	Tool Slide	Tool Slide	Tool Slide	Tool Slide	Tool Slide	Tool Slide	Tool Slide	Tool Slide	Tool Slide	Tool Slide	Tool Slide
	* ** in mm	* **in mm	* **in mm	* **in mm	* **in mm	* **in mm	* **in mm	* **in mm	* **in mm	* **in mm	* **in mm	* **in mm	* **in mm
2"	A 6.65 169												
2-1/2"	B 7.15 182												
3"	B 7.15 182												
3-1/2"	C 7.65 194		A 8.73 221										
4"	C 7.65 194	A 7.67 195	B 9.23 234		A 8.73 221								
5"	D 8.15 207	B 8.17 207	C 9.73 247	A 8.73 221	B 9.23 234								
6"	E 8.65 220	C 8.67 220	E 10.73 273	A 8.73 221	C 9.73 247		A 9.73 247						
8"		E 9.67 245	G 11.73 298	C 9.73 247	E 10.70 272	A 9.73 247	C 10.73 272		B 10.83 275				
10"				E 10.73 272	G 11.73 298	C 10.73 272	E 11.73 298	B 10.83 275	D 11.83 300		B 11.81 300		
12"						E 11.73 298	G 12.73 323	D 11.83 300	F 12.83 326	B 11.81 300	D 12.85 328		
14"								E 12.33 313	G 13.33 338	C 12.35 315	E 13.35 341		A 13.47 343
16"										E 13.35 341	G 14.35 366	A 13.47 343	C 14.47 369
18"												C 14.47 369	E 15.47 394
20"												E 15.47 394	G 16.47 416

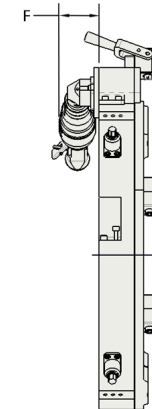
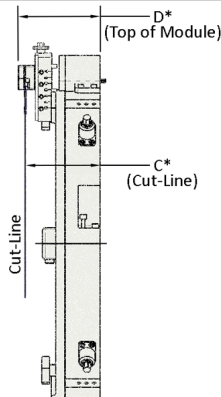
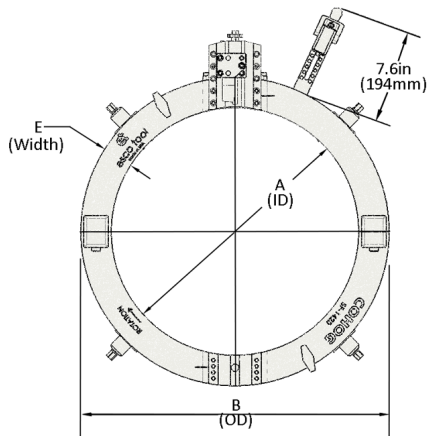
* Tool Slide / Trip Pin Mounting Location

** Tool Slide Swing Radius



Model#	DIMENSIONS													
	Working Range Min / Max I.D.		A		B		C*		D*		E			
	in	mm	in	mm	in	mm	in	mm	in	mm	in	mm		
206	2.375	6.625	60.3	168.3	6.9	175.3	11.7	297.2	6.13	155.7	6.7	170.2	2.4	60.1
408	4.500	8.625	114.3	219.1	8.9	226.1	13.7	347.9	6.13	155.7	6.7	170.2	2.4	60.1
410	4.500	10.750	114.3	273.1	11.0	279.4	15.8	401.3	6.13	155.7	6.7	170.2	2.4	60.1
612	6.625	12.750	168.3	323.9	13.0	330.2	17.8	452.2	6.13	155.7	6.7	170.2	2.4	60.1
814	8.625	14.000	219.1	355.9	14.2	360.7	19.0	482.6	6.13	155.7	6.7	170.2	2.4	60.1
1016	10.750	16.000	273.1	406.4	16.3	414.1	21.1	535.9	6.13	155.7	6.7	170.2	2.4	60.1
1420	14.000	20.000	355.6	508.0	20.3	515.7	25.3	642.6	6.13	155.7	6.7	170.2	2.5	63.5

* Secondary Parting Module



COHOG MOTOR DIMENSION			
		F	
		in	mm
RA Pneumatic	2.0 hp	3.3"	84
RA Pneumatic	2.5 hp	3.3"	84
Straight Electric	Both 110 / 220	19"	483
RA Electric	Both 110 / 220	23"	585
Hydraulic		9.5"	241